

155 D

Dunstabzugshaube

Cooker hood

Hotte aspirante

Cappa aspirante

Montage- und Gebrauchsanweisung

Installation and Operating Instructions

Instructions de montage et mode d'emploi

Istruzioni di montaggio ed istruzioni per l'uso

AEG

AUS
ERFAHRUNG
GUT

Contents

Introduction	23
Extractor version	23
Filter version	24
Electrical connections	25
Safety warnings for electrician	25
Specifications	26
Montage	27
Safety warnings for kitchen unit installer	27
Wall unit mounting	29
Wall mounting	29
Safety warnings for user	30
Hood operation	31
Controls	31
Setting the fan speed	32
Hood lighting	32
Intensive P	33
Fan timer	33
Switching off the fan	34
Hood operation before and after cooking	35
Warnings on the activated carbon filter	35
Display warning on saturation of activated carbon filter	35 - 37
Display warning on saturation of metal grease filters	38 - 39
Changing the light bulbs	40
Cleaning	40
Special Accessories	41
Technical Assistance Service	41



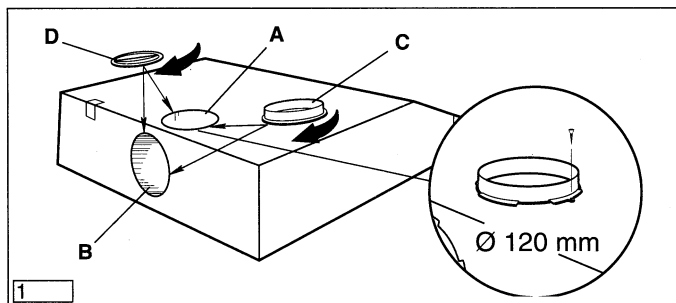
Introduction

The hood is supplied as an extractor unit and can also be used with a filtering function by fitting activated carbon filters (special accessory).

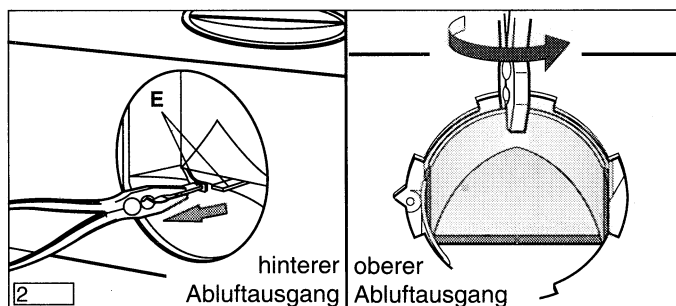
The unit features two outlet holes, one of which **A** is located on the top of the unit while the other **B** is located on the rear.

To connect up the hose, you should first fit the bayonet-mounting flange **C** on the outlet required (if using the top outlet, fix the flange in place using the screw supplied as shown in **Fig. 1**).

Close off the unused hole using the bayonet-fitting caps **D**.



If using the rear hole, open the air passage by removing the partition (**E** — **Fig. 2**)



Move the lever **F** to position **A** — **Fig. 3**.

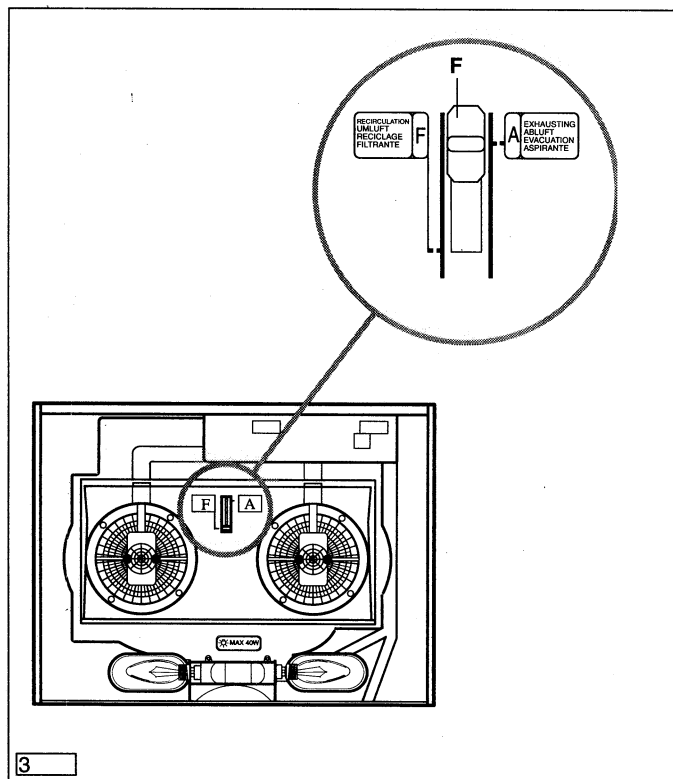
When connecting up the hood using a telescopic wall pipe, you should preferably use the unflamable outlet hose No. E 610 899 007 (120 mm Ø) from our range of special accessories.

Extractor version

**Filter
version**

The air is filtered and recirculated through the front grille.

Move the lever **F** to position **F** — **Fig. 3**.



You will need an original AEG KLF60/80 activated carbon filter for filtering function. (See special accessories).

Electrical connections

Check that the power supply voltage shown on the rating plate corresponds to the mains supply before proceeding to make any electrical connections. If the unit is supplied ready-fitted with a plug, it can be connected to any easily accessible socket installed in compliance with the regulations in force.

If a fixed connection is required, the hood must be installed exclusively by an electrician registered with the local electrical company. The hood should be installed using an omnipolar switch with contacts that open to at least 3 mm.

Fused switches can be used for this purpose (with cartridge fuses that can be extracted from the fuse holder), as can automatic circuit breakers and contactors which open to more than 3 mm.

We decline all responsibility for any problems or faults caused by a failure to observe the above instructions.

Installing the socket directly above the hood or above the wall unit mounted above the hood offers the following advantages:

1. The socket cannot be seen.
2. The unit can be disconnected whenever required by simply taking out the plug.

Electrical connections

230 V - using fixed power supply line with plug.

(The unit should only be connected up by an authorized electrician).

**Safety
warnings for
electrician**

Specifications

Dimensions:

Height	Width	Depth (in mm)
152	599	505

Weight:

Net:	10,5 Kg
Gross:	11,5 Kg

Maximum absorbed power: 360 W

Motor absorption: 2 x 140 W

Lighting: 2 x 40 W

Fan powers (levels), levels in compliance with DIN 44971

Exhausting version:

min. 120 m³/h max. 254 m³/h Intensive speed 385 m³/h

Recycling version:

min. 50 m³/h max. 180 m³/h Intensive speed 206 m³/h

Extractor system: 120 mm Ø

Montage

When used as an extractor unit, the hood must be fitted with a 120mm diameter hose.

If the outlet hose is installed in a horizontal position, it must nevertheless be slanted at an angle of 10° so that the air can flow outside without impediment.

If the cooking vapour is passed through an outside wall, you will need a telescopic wall pipe No. E 610 899 004 (120 mm ø) from our range of special accessories.

When installing the hood, make sure you respect the following minimum distance from the top edge of the cooking hob/ring surfaces:

electric cookers	650 mm
gas cookers	650 mm
coal and oil cookers	700 mm min.

The hood cannot be connected to flues of other appliances that run on energy sources other than electricity.

It is advisable to apply for authorization from the relevant controlling authority when connecting the outlet to an unused chimney flue or combustion gas duct.

The air outlet installation must comply with the regulations laid down by the relevant authorities.

When the unit is used in its extractor version, a sufficiently large ventilation hole must be provided, with dimensions that are approximately the same as the outlet hole.

National and regional building regulations impose a number of restrictions on using hoods and fuel-burning appliances connected to a chimney, such as coal or oil room-heaters and gas fires, in the same room.

The European decree on fuel-burning systems specifies a maximum depression of 0.04 bar in such rooms.

Hoods can only be used safely with appliances connected to a chimney if the room and/or flat (air/environment combination) is ventilated from outside using a suitable ventilation hole approximately 500-600 cm² large to avoid the possibility of a depression being created during operation of the hood. If you have any doubts, contact the relevant controlling authority or building inspector's office.

**Safety
warning for
kitchen unit
installer**

Since the rule for rooms with fuel burning appliances is “outlet hole of the same size as the ventilation hole”, a hole of 500-600 cm², which is to say a larger hole, could reduce the performance of the extractor hood.

If the hood is used in its filtering function, it will operate simply and safely in the above conditions without the need for any of the aforementioned measures.

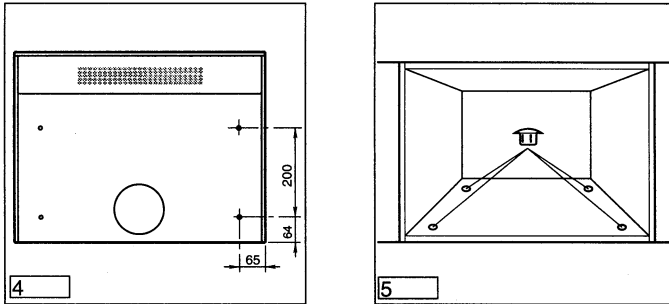
When the hood is used in its extractor function, the following rules must be followed to obtain optimal operation:

- short and straight outlet hose**
- keep bends in outlet hose to a minimum**
- never install the hoses with an acute angle, they must always follow a gentle curve only**
- keep the hose as large as possible (120 mm Ø).**

Failure to observe these basic rules will drastically reduce the performance and increase the noise levels of the extractor hood.

- Drill four holes in the base of the wall unit using the template supplied.
- Mount the hood unit on the base of the wall unit using four 4,2 x 35 mm screws. — **Fig.4**

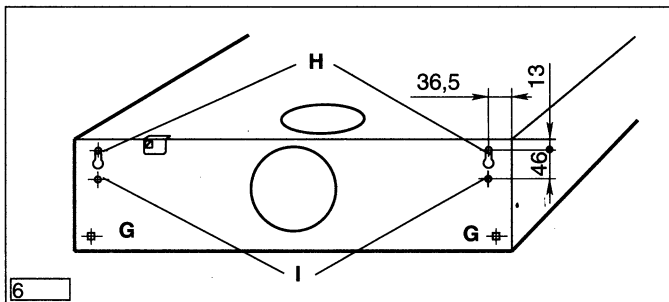
Wall unit mounting



If using an interchangeable model, fit the plastic caps supplied in any unused mounting holes. — **Fig. 5**

- Position the template on the wall.
- Drill four 8 mm Ø holes in the wall, 2 in points H and 2 in points I.
- Fit the four 8 mm screw anchor plugs in the wall.
- Screw two 5 x 45 mm screws in points H but do not tighten them fully home.
- Adjust the unit so that it is positioned at a right angle to the wall by turning the two support screws G.
- Now hang the hood on the wall (holes H). Tighten the first two screws and, for safety's sake, screw the other two 5 x 45 mm screws (holes I) into the holes in the hood. — **Fig. 6**

Wall mounting



**Safety
warnings
for user**

Never leave a cooking hob or ring on without a pot or pan on top of it, to avoid the possibility of excess heat damaging the unit. Gas, oil or coal cooker flames in particular should never be left uncovered.

Special care should be taken when using deep fat fryers since the oil in them can overheat and burst into flames.

The risk of a fat fire increases when using dirty oil.

It is extremely important to note that overheating can cause a fire.

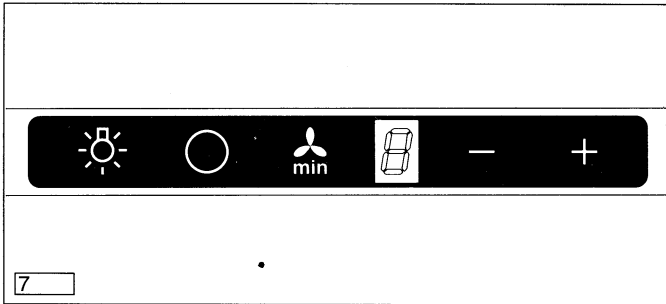
Never carry out any flambé cooking under the hood.

Always disconnect the unit from the power supply before carrying out any work on the hood, including replacing the light bulb (take the cartridge fuse out of the fuse holder or switch off the automatic circuit breaker).

It is very important to clean the hood and replace the filter at the recommended intervals. Failure to do so could cause grease deposits to build up, causing a fire hazard.

Hood Operation

The control panel is located on the front of the hood.
The control panel numbers and symbols (Fig. 7 from left to right) are explained in the key below:



= Lighting, on/off.



= Fan switch (speeds 1-9).



= Fan timer, 15 minutes.



= Display showing fan speed (1-9), high speed (P), change grease filters (F) and change activated carbon filters (C).



= Decrease fan speed button for reducing speed of motor from high speed (P) down to speed 1.

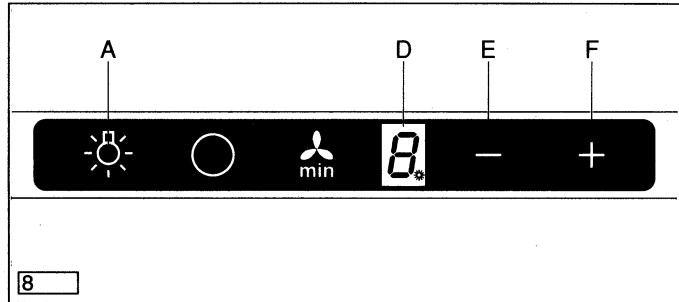


= Increase fan speed button for increasing speed of motor from 1 to 9 and high speed (P).

If the hood fails to operate correctly, briefly disconnect it from the mains power supply for almost 5 sec. by pulling out the plug. Then plug it in again and try once more before contacting the Technical Assistance Service.

Controls

**Setting
the fan speed
(Fig. 8)**



Press the (⊕) button (F) to select the fan speed from 1 to 9, keeping it pressed until the speed you want, e.g. speed 5, is shown on the display (D).

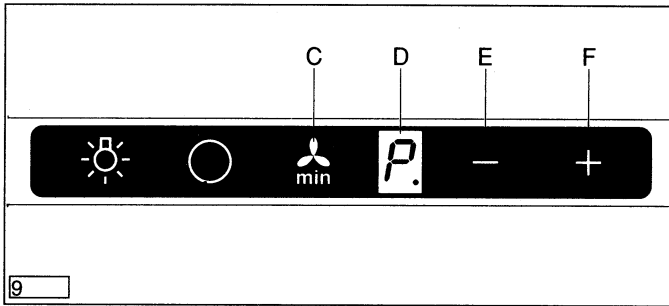
The red display LED (D) will come on.

If you accidentally set a higher speed than you want, press the decrease speed button (⊖) (E) until the correct speed is shown on the display (D).

**Hood lighting
(Fig. 8)**

Simply press the (☒) button (A) to switch the lighting on or off.

Intensive speed P (Fig. 9)



To select the intensive speed (P), press the increase speed button (⊕) (F) until the letter P (high speed) is shown on the display (D).


Press the (⊖) button (E) to slow down from intensive-speed operation. The speeds 9-1 will once again be shown on the display.

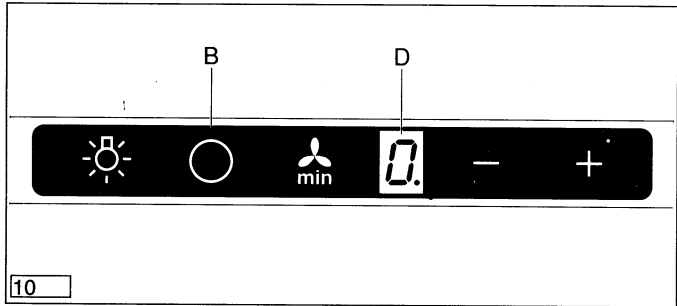
If there is a high level of cooking fumes or vapour, the hood should be left in operation for at least 15 minutes after the cooker has been completely turned off.

Fan timer (Fig. 9)

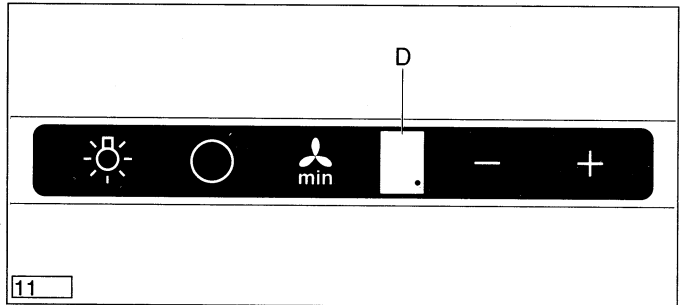
Press the (⏻) button (C) to switch on the fan timer. It will automatically switch off after 15 minutes operation at the speed you have selected. A red dot will flash on and off on the display (D).


**Switching off
the fan
(Figures 10 - 11)**

Press the  key (B) to switch off the fan at any speed including P.



After 5 seconds the number "0" (Fig. 10) will be shown on the display (D) followed, finally, by only the red dot (Fig. 11).



The hood should always be switched on before you start cooking and left on for approximately 15 minutes after you have finished (fan timer )

The activated carbon filter should be replaced at least once every 120 operating hours.

The activated carbon filter cannot be cleaned or reused.

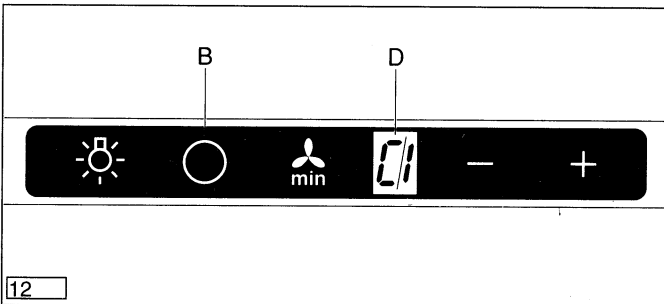
The effective elimination of cooking odours depends on the functional adaptation of the volume of activated carbon to the hood's air flow and a carefully determined position of the filter inside the hood.

This combination inevitably decreases the air flow compared to the extractor version.

A decisive parameter for the elimination of cooking odours is what is known as the "residence time" of the air sucked into the hood in the activated carbon filter.

The correct "residence time" can only be obtained using original AEG activated carbon filters (see Special Accessories).

After 120 operating hours, the letter (C) (activated carbon filter) will flash on and off on the display (D) in alternation with the fan speed setting.



This means the activated carbon filter needs to be changed!
(This operation should be carried out every 120 operating hours!)

Warning! The metal grease filters must be cleaned when you change the activated carbon filter.

Hood operation before and after cooking

Warnings on the activated carbon filter

Display warning on saturation of activated carbon filter (Fig. 12)

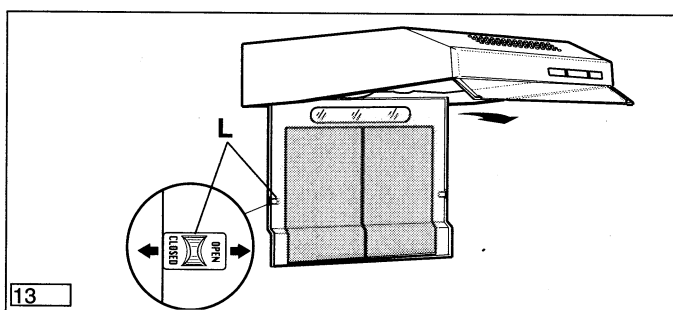
Proceed as follows to remove and change my activated carbon filter:

Switch of the fan motor by pressing the  button.

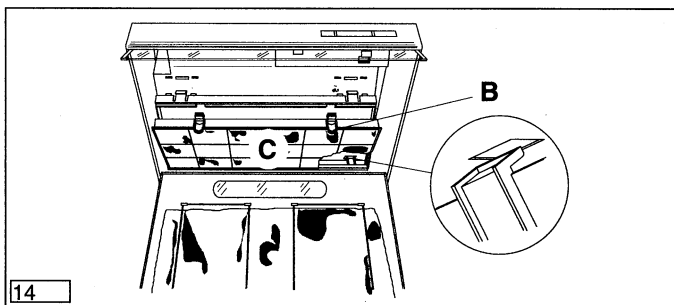
Take the precaution of removing my cartridge fuses from their fuse holders or tripping my automatic circuit breaker to ensure the fan motor cannot be switched on accidentally.

1. Remove the grille (Fig. 13).

- Open my latch L and swing the grille downwards.
- To remove the grille, pull it forwards from the right and release it.



2. The activated carbon filter should under absolutely no circumstances ever be washed. To remove it, press the two red buttons B and pull it down and out (Fig. 14).
3. Clean the inner housing using a hot detergent solution only (never use caustic detergents, abrasive powders or brushes).
4. Fit the new activated carbon filter in its special frame, inserting the back end first and then pushing the front into place before finally locking it into position using the lock devices (red buttons, Fig. 14, B) on the activated carbon filter (Fig. 14, C).

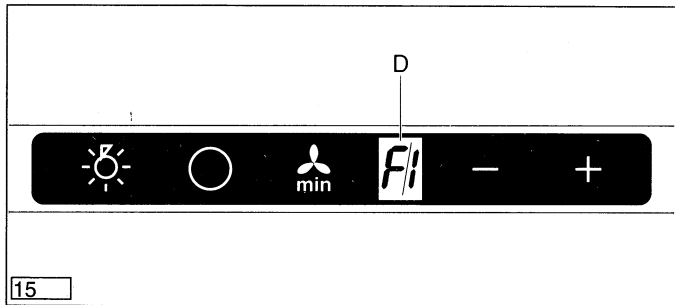


5. Screw the fuses back in or reset the automatic circuit breaker.
6. Proceed as follows to reset the filter saturation display (counter). Select any fan speed using my \ominus E or \oplus F buttons and then press the \bigcirc B and \oplus F buttons at the same time, continuing to hold them down for at least 3 seconds until the flashing letter C stops being shown on the display (D) and then press the \bigcirc button B.

The activated carbon filter display is now ready for use again.


Display warning on saturation of metal grease filter (Fig. 15)

After 30 operating hours the letter (F- grease filters) will flash on and off on the display (D) in alternation with the fan speed setting.



This means that the metal grease filters need to be cleaned!
(This operation should be carried out every 30 operating hours!)

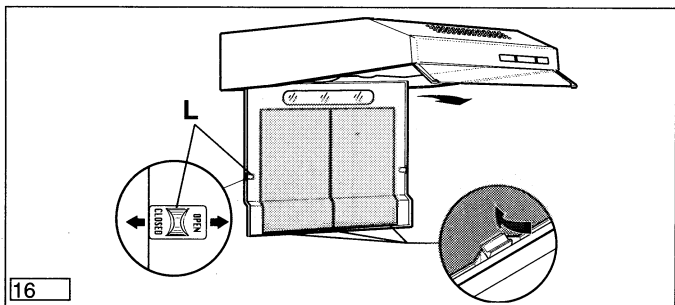
Proceed as follows to remove and clean the metal filters:






Switch of the fan motor by pressing the  button.

Take the precaution of removing my cartridge fuses from their fuse holders or tripping the automatic circuit breaker to ensure the fan motor cannot be switched on accidentally.

1. Remove the grille (Fig. 16).
 - Open my latch L and swing the grille downwards.
 - To remove the grille, pull it forwards from the right and release it.

Remove the metal filter by operating the stops that fix them to the grille.



2. Clean the inner housing using a hot detergent solution only (never use caustic detergents, abrasive powders or brushes).
3. Leave the metal grease filter panel to soak for approximately 1 hour in very hot water with grease-dissolving detergent and then rinse it with very hot water. Repeat the operation if necessary. Load the grease filter panel in a dishwasher, selecting the most intensive washing programme and maximum temperature, at least 65°C. Repeat the operation if necessary.
4. When both metal grease filters have been cleaned and left to dry, replace them by following the above operations in reverse order (front first and then back).
5. Screw the fuses back in or reset the automatic circuit breaker.
6. Proceed as follows to reset the filter saturation display (counter). Select any fan speed using my  E or  F buttons and then press my  B and  F buttons at the same time, continuing to hold them down for at least 3 seconds until the flashing letter F stops being shown on the display (D) and then press the  button B.

Changing the light bulbs

- Disconnect the unit from the mains power supply.
- Remove my cover
- Replace the old light bulb with a new light bulb (40 W max.).
- If the light does not come on, make sure the bulb has been screwed in correctly before contacting the technical assistance service.

Cleaning

Warning: always disconnect the hood from the mains power supply before cleaning it.

Never insert pointed objects in the motor's protective grille.

Wash the outside surfaces using a delicate detergent solution. Never use caustic detergents or abrasive brushes or powders.

Only ever clean the switch panel and filter grille using a damp cloth and delicate detergents.

Attention!

Attention! Failure to observe the instructions on cleaning the unit and changing the filters will cause a fire hazard. You are therefore strongly recommended to follow these instructions.

MKZ telescopic wall pipe
120 mm outlet hose
KLF60/80 activated carbon filter

E - Nr. 610 899 004
610 899 007
610 899 421

Technical assistance service

You are welcome to telephone our technical assistance service (see list of technical assistance centres) whenever you need information or in the unlikely event of a fault.

When calling, please be ready to specify:

- 1. The model code number**
- 2. The E - Nr.**
- 3. The F - Nr.**

This information is shown on the registration plate inside the unit behind the grease filter grille.

We reserve the right to change specifications and colours as a result of our policy of continuing technological development.

AEG

Bitte geben Sie unserem Kundendienst folgende Angaben bei einer Störung an:

If your appliance has a fault, please contact our service engineer and state the following numbers:

Veillez donner les indications suivantes à notre service après-vente en cas de panne:

In caso di difetto vi preghiamo di comunicare al servizio tecnico assistenza clienti i seguenti dati:

E-Nr. 610

F-Nr.

AEG Hausgeräte AG
Postfach 1036
D-90327 Nürnberg

© Copyright by AEG
H 260 264 900

AUS
ERFAHRUNG
GUT

L 437B Ed. 06/95